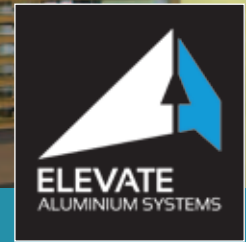




Architectural Series | Series 417 LouvreMASTER™ Sun Control Shutter

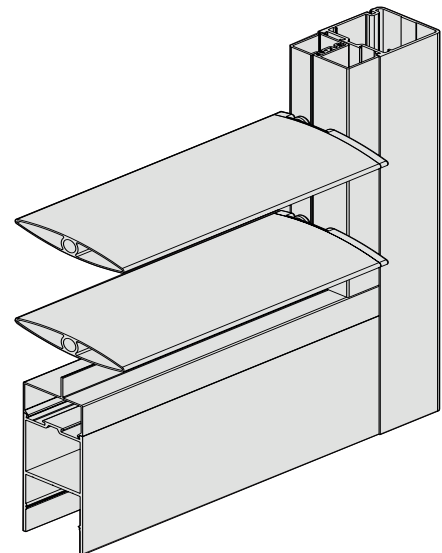


Overview

The LouvreMASTER™ sun control shutter is designed for external sun and or privacy control in fixed panels or moving panels in the form of a hinged, sliding or a Bi-folding door.

Key Features

- The LouvreMASTER™ sun control shutter is designed for external sun and or privacy control in fixed panels or moving panels in the form of a hinged, sliding or a Bi-folding door.
- The LouvreMASTER™ system has been successfully tested for compliance with AS2047 (wind and proof load). 1200mm wide door panel will withstand 2000Pa Serviceability at 1/250 deflection and proof tested to 3000Pa.
- There is an awning / casement sash that will accept LouvreMASTER™ and can be fitted into Series 400 and 466 frames.
- The system has all blades working and has no dead or half blades.
- Blades are 88mm by 14mm oval shape. The pitch for the blades can vary from 60 to 80mm depending on panel height.
- The blades can be clamped in any position between open and closed with the use of a activation handle.



Maximum Panel Height	3000mm
Maximum Panel Width	1500mm
Maximum Glass Thickness	N/A

Subject to individual site conditions. Contact AWS Technical Support for information.



3D & 2D CAD FILES AVAILABLE



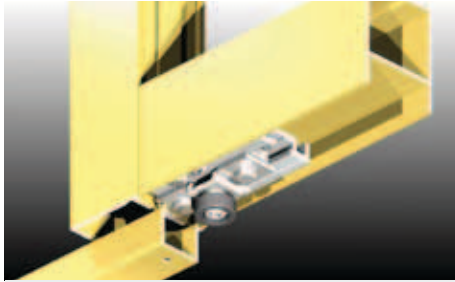
PRODUCT INFORMATION AVAILABLE AT
WWW.ELEVATEALUMINIUM.COM.AU



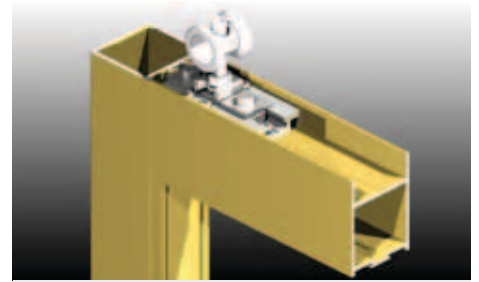
SPECIFIER ASSISTANCE AVAILABLE



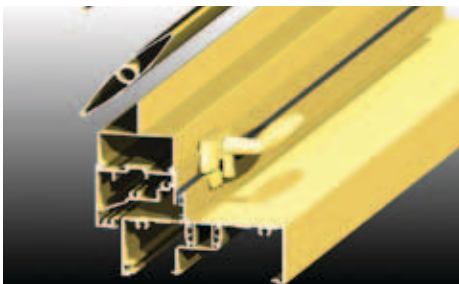
The 417 features a patented blade control system.



Specifically designed spigot system for unique bottom roller guide.



Specifically designed spigot system to maintain strength in top hung applications.



The 417 can be incorporated into awning sashes.



Various winder options available for awning sashes.