



Architectural Series | Series 412 ViewMASTER™ Bi-Fold Door (bottom rolling)

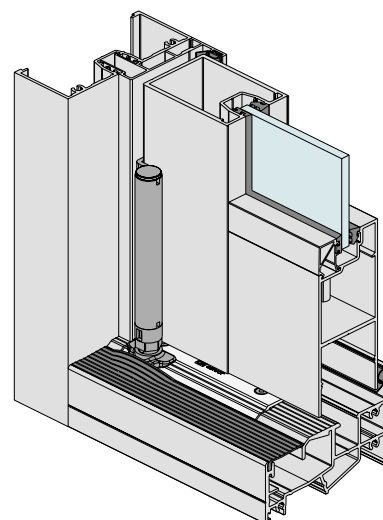


Overview

Series 412 is a bottom rolling bi-fold door system ideal for commercial or high end residential applications.

Key Features

- Series 412 Bi-fold door (bottom rollers) has been designed to accept the 50mm thick heavy duty Series 50 and 52 doors.
- Can be manufactured with compliant panels up to 3000mm high.
- Bi-fold doors roll on Centor™ F3 stainless steel bearing rollers running in heavy duty concealed sill track.
- Heavy duty F3 will carry door panels up to 80kg.
- The Surelock™ adjustment on the bottom pivots and carriers allow all panels to be lifted or lowered easily with a small flat screwdriver and spanner.
- Sill rollers and pivots are positioned under the door panels and covered with flexible silicone flap. This sill flap folds over the sill carrier brackets as they roll along the sill.
- The sill flap keeps dust and water away from the sill rollers.
- As the rollers are under the doors there is no external projections. The 102mm frame is flush inside and out.
- Carriers, pivots, hinges and fixings supplied in 304 / 316 stainless steel.
- Top guide runs in semi rigid PVC channel insert to reduce noise.
- Snap-on jamb adapter allows us to offer an extensive range of jambs to cover almost any situation.
- Run through conventional CentreGLAZE™ jambs allow us to offer highlights over bi-fold doors with run through jambs. Run through jambs are significantly stronger and more waterproof.
- A variety of lever and lock options are available including multi-point locking for added security.
- Successfully tested to resist 300Pa water.
- Can be configured to incorporate single or double entry doors so access can be achieved without opening the whole unit.
- We can fit Centor™ S1E roller flyscreens behind Series 412 bi-fold doors.



Maximum Panel Height	3000mm
Maximum Panel Width	1000mm
Maximum Glass Thickness	≤ 24mm

Subject to individual site conditions. Contact AWS Technical Support for information.



WERS RATED PRODUCT



ENHANCED ACOUSTIC PERFORMANCE



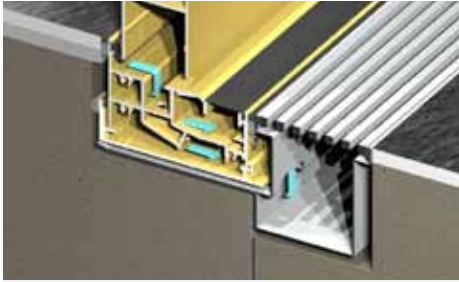
3D & 2D CAD FILES AVAILABLE



PRODUCT INFORMATION AVAILABLE AT
WWW.ELEVATEALUMINIUM.COM.AU



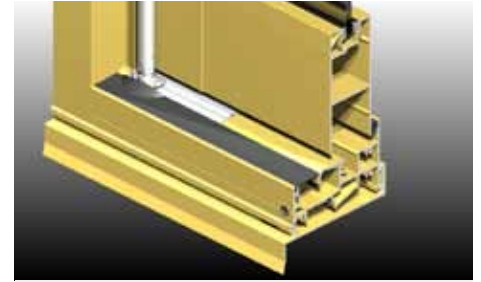
SPECIFIER ASSISTANCE AVAILABLE



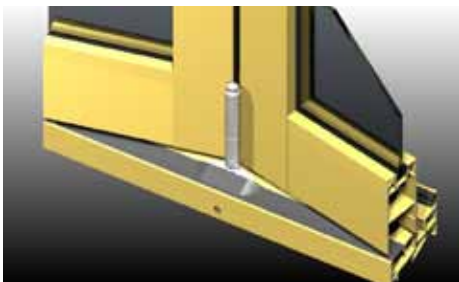
The sill can be recessed into floor finish and fitted with stainless steel Creative Drain drainage system.



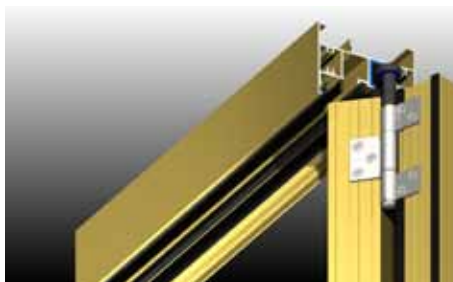
A full range of hardware available including multiple 4-point locking mechanisms.



All AWS Commercial products can incorporate Centor roll-away screens.



Doors supported on concealed articulated rollers with built-in track sweeper.

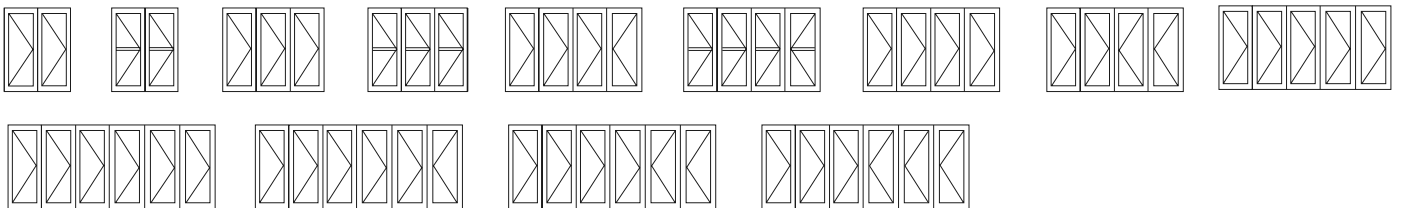


The stainless steel head guide rolls in semi-rigid PVC guide to reduce operation noise.



Door panels can be adjusted up, down and sideways.

Typical Configurations



WERS RATINGS

The table below lists some of the WERS rated glass and frame combinations for this system. For a complete list of all rated glass and frame combinations refer to the Series 412 WERS Data Sheet.

Single Glazed

Glass Description	Uw	SHGCw	Tvw	Inf
6.38Sct	4.57	0.48	0.55	0.43
6EVanSpB	4.76	0.26	0.26	0.43
6EVanSpGn	4.76	0.26	0.32	0.43
6.38CPClr	4.61	0.48	0.56	0.43

Double Glazed

Glass Description	Uw	SHGCw	Tvw	Inf
3/12Ar/3ET	3.47	0.51	0.51	0.43
4/10Ar/4ET	3.55	0.50	0.50	0.43
6.38LamSpGy/12/6	4.09	0.18	0.08	0.43
10.38LamGy/8Ar/6	4.06	0.14	0.07	0.43